

PUNTA COMPONENTE IN WIDIA "DUROX" AFFILATURA SPECIALE

DUROX - HW Doweldrill - Special sharpening

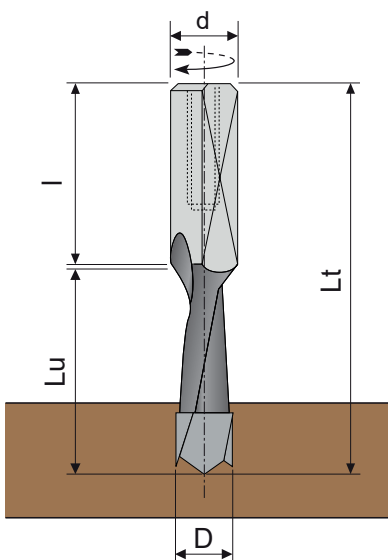
DUROX - HW Dübellochbohrer - Sonder Schärfung

Broca componibile de Widia "DUROX" - Afilado Especial



D mm	Lu mm	Lt mm	ATTACCO - SHANK		Z	CODICE DX CODE RH	CODICE SX CODE LH
			d mm	l mm			
5	33	57,5	10	27	2	FPHLAS01	FPHLAS11
6	33	57,5	10	27	2	FPHLAS02	FPHLAS12
8	33	57,5	10	27	2	FPHLAS03	FPHLAS13
10	33	57,5	10	27	2	FPHLAS04	FPHLAS14
12	33	57,5	10	27	2	FPHLAS05	FPHLAS15
5	35	70	10	30	2	FPHLAS06	FPHLAS16
6	35	70	10	30	2	FPHLAS07	FPHLAS17
8	35	70	10	30	2	FPHLAS08	FPHLAS18
10	35	70	10	30	2	FPHLAS09	FPHLAS19
12	35	70	10	30	2	FPHLAS10	FPHLAS20

■ A richiesta si eseguono anche altre misure
Other dimension available on request



Forante in HW

HW drilling bit

HW Einbohrschneide

Placa de HW para taladrar

