



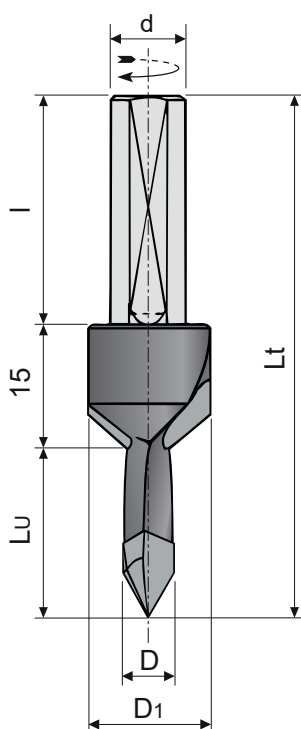
## PUNTA SVASATORE PER FORATRICI MULTIPLE

Throughbore doweldrill with countersink

Stufensenker

Broca avellanador para taladradoras múltiple

D mm	D1 mm	Lu mm	Lt mm	ATTACCO - SHANK		Z	CODICE DX CODE RH	CODICE SX CODE LH
				d mm	l mm			
5	16	13	70	10	42	2	FPH35P7001	FPH35P7031
5	16	20	70	10	35	2	FPH35P7002	FPH35P7032
5	16	25	70	10	30	2	FPH35P7003	FPH35P7033
5	16	30	70	10	25	2	FPH35P7004	FPH35P7034
6	16	13	70	10	42	2	FPH35P7005	FPH35P7035
6	16	20	70	10	35	2	FPH35P7006	FPH35P7036
6	16	25	70	10	30	2	FPH35P7007	FPH35P7037
6	16	30	70	10	25	2	FPH35P7008	FPH35P7038
8	16	13	70	10	42	2	FPH35P7009	FPH35P7039
8	16	20	70	10	35	2	FPH35P7010	FPH35P7040
8	16	25	70	10	30	2	FPH35P7011	FPH35P7041
8	16	30	70	10	25	2	FPH35P7012	FPH35P7042
10	16	13	70	10	42	2	FPH35P7013	FPH35P7043
10	16	20	70	10	35	2	FPH35P7014	FPH35P7044
10	16	25	70	10	30	2	FPH35P7015	FPH35P7045
10	16	30	70	10	25	2	FPH35P7016	FPH35P7046
12	16	13	70	10	42	2	FPH35P7017	FPH35P7047
12	16	20	70	10	35	2	FPH35P7018	FPH35P7048
12	16	25	70	10	30	2	FPH35P7019	FPH35P7049
12	16	30	70	10	25	2	FPH35P7020	FPH35P7050
14	16	13	70	10	42	2	FPH35P7021	FPH35P7051
14	16	20	70	10	35	2	FPH35P7022	FPH35P7052
14	16	25	70	10	30	2	FPH35P7023	FPH35P7053
14	16	30	70	10	25	2	FPH35P7024	FPH35P7054
16	16	13	70	10	42	2	FPH35P7025	FPH35P7055
16	16	20	70	10	35	2	FPH35P7026	FPH35P7056
16	16	25	70	10	30	2	FPH35P7027	FPH35P7057
16	16	30	70	10	24	2	FPH35P7028	FPH35P7058



**■ A richiesta si eseguono anche altre misure**  
Other dimension available on request

**Forante in HW**  
HW drilling bit  
HW Einbohrschneide  
Placa de HW para taladrar

