

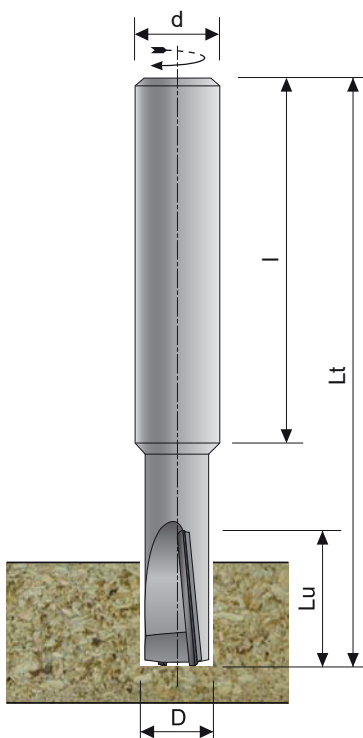


FRESE PER INCASTRI CON CORPO IN HW

Router bit on HW body
Schafffräser auf Hw Körper
Brocas para ranurar con cuerpo de HW

CODICE CODE	D mm	Lu mm	Lt mm	ATTACCO - SHANK		Z	ROTAZ. ROTAT.	PLACCHE - TIPS	
				d mm	l mm			n°	Forante
DAF26001	5	10	70	6	40	1	R	1	HW
DAF26002	6	10	70	6	40	1	R	1	HW
DAF26003	7	10	70	8	40	1	R	1	HW
DAF26004	8	10	70	10	40	1	R	1	HW
DAF26005	8	13	70	10	40	1	R	1	HW
DAF26006	8	16	70	10	40	1	R	1	HW
DAF26007	8	20	70	10	40	1	R	1	HW
DAF26008	10	10	70	10	40	1	R	1	HW
DAF26009	10	10	70	10	40	2	R	2	HW
DAF26010	10	13	70	10	40	1	R	1	HW
DAF26011	10	13	70	10	40	2	R	2	HW
DAF26012	10	16	70	10	40	1	R	1	HW
DAF26013	10	16	70	10	40	2	R	2	HW
DAF26014	10	20	70	10	40	1	R	1	HW
DAF26015	10	20	70	10	40	2	R	2	HW
DAF26016	10	25	70	10	40	1	R	2	HW
DAF26017	10	25	70	10	40	2	R	2	HW
DAF26018	12	10	70	12	40	1	R	1	HW
DAF26019	12	10	70	12	40	2	R	2	HW
DAF26020	12	13	70	12	40	1	R	1	HW
DAF26021	12	13	70	12	40	2	R	2	HW
DAF26022	12	16	70	12	40	1	R	1	HW
DAF26023	12	16	70	12	40	2	R	2	HW
DAF26024	12	20	70	12	40	1	R	2	HW
DAF26025	12	20	70	12	40	2	R	2	HW
DAF26026	12	25	70	12	40	1	R	2	HW
DAF26027	12	25	70	12	40	2	R	2	HW

Forante in Diamante a richiesta
Diamond drilling tip on request



■ A richiesta si eseguono anche altre misure
Other dimension available on request

