

FORATURA

DRILLING • BOHREN • PERFORAR

Punte per foratrice - Foro cieco

Dead bore drill • Dübellochbohrer

Brocas para agujero ciego

DAF 340

54

Punte per foratrice - Foro passante

Through bore drill • Durchgangsbohrer

Brocas para agujero pasante

DAF 350

55

Punte per foratrice - Cerniera

Cylinder boring bit • Zylinderkopfbohrer

Brocas bisagra

DAF 360

56

Punte per foratrice - Cerniera con 4 rasanti

Cylinder boring bit with 4 trimmers • Zylinderkopfbohrer mit 4 vorschneiden

Brocas bisagra con 4 precortadores

DAF 361

57

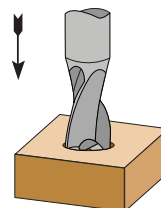
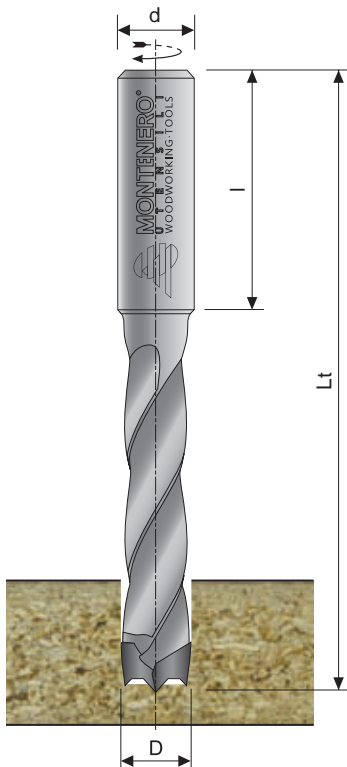




PUNTE PER FORATRICE - FORO CIECO

Dead bore drill
Dübellochbohrer
Brocas para agujero ciego

CODICE CODE	D mm	Lt mm	ATTACCO - SHANK		Z	ROTAZ. ROTAT.	PLACCHE - TIPS	COD. PREZZO PRICE CODE
			d mm	l mm			n°	
DAF34001	5	57,5	10	20	2	R	2	L-8
DAF34002	5	57,5	10	20	2	L	2	L-8
DAF34003	6	57,5	10	20	2	R	2	L-9
DAF34004	6	57,5	10	20	2	L	2	L-9
DAF34005	7	57,5	10	20	2	R	2	L-10
DAF34006	7	57,5	10	20	2	L	2	L-10
DAF34007	8	57,5	10	20	2	R	2	L-11
DAF34008	8	57,5	10	20	2	L	2	L-11
DAF34009	9	57,5	10	20	2	R	2	L-12
DAF34010	9	57,5	10	20	2	L	2	L-12
DAF34011	10	57,5	10	20	2	R	2	L-13
DAF34012	10	57,5	10	20	2	L	2	L-13
DAF34013	12	57,5	10	20	2	R	2	L-14
DAF34014	12	57,5	10	20	2	L	2	L-14
DAF34015	5	70	10	20	2	R	2	L-15
DAF34016	5	70	10	20	2	L	2	L-15
DAF34017	6	70	10	20	2	R	2	L-16
DAF34018	6	70	10	20	2	L	2	L-16
DAF34019	7	70	10	20	2	R	2	L-17
DAF34020	7	70	10	20	2	L	2	L-17
DAF34021	8	70	10	20	2	R	2	L-18
DAF34022	8	70	10	20	2	L	2	L-18
DAF34023	9	70	10	20	2	R	2	L-19
DAF34024	9	70	10	20	2	L	2	L-19
DAF34025	10	70	10	20	2	R	2	L-20
DAF34026	10	70	10	20	2	L	2	L-20
DAF34027	12	70	10	20	2	R	2	L-21
DAF34028	12	70	10	20	2	L	2	L-21

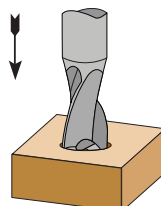
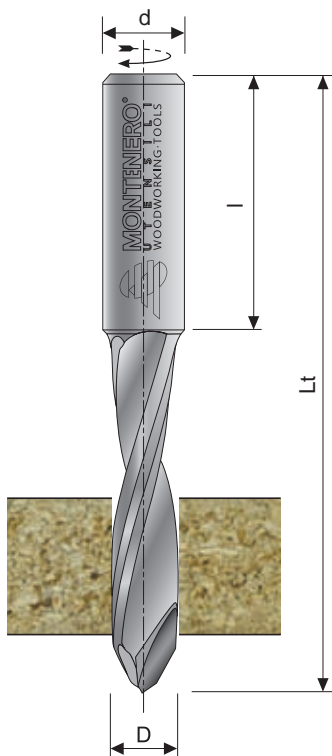


PUNTE PER FORATRICE - FORO PASSANTE

Through bore drill
Durchgangsbohrer
Brocas para agujero pasante






CODICE CODE	D mm	Lt mm	ATTACCO - SHANK		Z	ROTAZ. ROTAT.	PLACCHE - TIPS n°	COD. PREZZO PRICE CODE
			d mm	l mm				
DAF35001	5	57,5	10	20	2	R	2	J-17
DAF35002	5	57,5	10	20	2	L	2	J-17
DAF35003	6	57,5	10	20	2	R	2	J-18
DAF35004	6	57,5	10	20	2	L	2	J-18
DAF35005	7	57,5	10	20	2	R	2	J-19
DAF35006	7	57,5	10	20	2	L	2	J-19
DAF35007	8	57,5	10	20	2	R	2	J-20
DAF35008	8	57,5	10	20	2	L	2	J-20
DAF35009	9	57,5	10	20	2	R	2	J-21
DAF35010	9	57,5	10	20	2	L	2	J-21
DAF35011	10	57,5	10	20	2	R	2	J-22
DAF35012	10	57,5	10	20	2	L	2	J-22
DAF35013	12	57,5	10	20	2	R	2	J-23
DAF35014	12	57,5	10	20	2	L	2	J-23
DAF35015	5	70	10	20	2	R	2	J-24
DAF35016	5	70	10	20	2	L	2	J-24
DAF35017	6	70	10	20	2	R	2	J-25
DAF35018	6	70	10	20	2	L	2	J-25
DAF35019	7	70	10	20	2	R	2	J-26
DAF35020	7	70	10	20	2	L	2	J-26
DAF35021	8	70	10	20	2	R	2	J-27
DAF35022	8	70	10	20	2	L	2	J-27
DAF35023	9	70	10	20	2	R	2	J-28
DAF35024	9	70	10	20	2	L	2	J-28
DAF35025	10	70	10	20	2	R	2	J-29
DAF35026	10	70	10	20	2	L	2	J-29
DAF35027	12	70	10	20	2	R	2	J-30
DAF35028	12	70	10	20	2	L	2	J-30

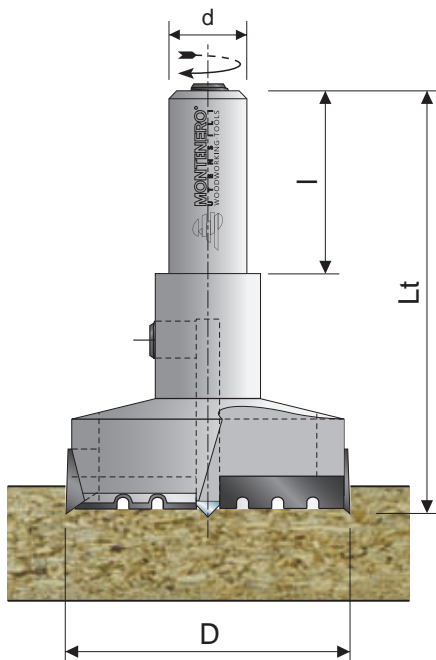




PUNTE PER FORATRICE - CERNIERA

Cylinder boring bit
Zylinderkopfbohrer
Brocas bisagra

VT038  M5 x 10 G-59	
VT039  M5 x 5 G-59	
CNTR01  Ø3 x 33,5 G-60	






CODICE CODE	D mm	Lt mm	ATTACCO - SHANK		Z	ROTAZ. ROTAT.	COD. PREZZO PRICE CODE
			d mm	l mm			
DAF36001	14	57,5	10	20	2+2	R	O-1
DAF36002	14	57,5	10	20	2+2	L	O-1
DAF36003	15	57,5	10	20	2+2	R	O-2
DAF36004	15	57,5	10	20	2+2	L	O-2
DAF36005	16	57,5	10	20	2+2	R	O-3
DAF36006	16	57,5	10	20	2+2	L	O-3
DAF36007	18	57,5	10	20	2+2	R	O-4
DAF36008	18	57,5	10	20	2+2	L	O-4
DAF36009	20	57,5	10	20	2+2	R	O-5
DAF36010	20	57,5	10	20	2+2	L	O-5
DAF36011	22	57,5	10	20	2+2	R	O-6
DAF36012	22	57,5	10	20	2+2	L	O-6
DAF36013	24	57,5	10	20	2+2	R	O-7
DAF36014	24	57,5	10	20	2+2	L	O-7
DAF36015	25	57,5	10	20	2+2	R	O-8
DAF36016	25	57,5	10	20	2+2	L	O-8
DAF36017	26	57,5	10	20	2+2	R	O-9
DAF36018	26	57,5	10	20	2+2	L	O-9
DAF36019	28	57,5	10	20	2+2	R	O-10
DAF36020	28	57,5	10	20	2+2	L	O-10
DAF36021	30	57,5	10	20	2+2	R	O-11
DAF36022	30	57,5	10	20	2+2	L	O-11
DAF36023	32	57,5	10	20	2+2	R	O-12
DAF36024	32	57,5	10	20	2+2	L	O-12
DAF36025	35	57,5	10	20	2+2	R	O-13
DAF36026	35	57,5	10	20	2+2	L	O-13
DAF36027	38	57,5	10	20	2+2	R	O-14
DAF36028	38	57,5	10	20	2+2	L	O-14
DAF36029	40	57,5	10	20	2+2	R	O-15
DAF36030	40	57,5	10	20	2+2	L	O-15
DAF36031	14	70	10	20	2+2	R	O-16
DAF36032	14	70	10	20	2+2	L	O-16
DAF36033	15	70	10	20	2+2	R	O-17
DAF36034	15	70	10	20	2+2	L	O-17
DAF36035	16	70	10	20	2+2	R	O-18
DAF36036	16	70	10	20	2+2	L	O-18
DAF36037	18	70	10	20	2+2	R	O-19
DAF36038	18	70	10	20	2+2	L	O-19
DAF36039	20	70	10	20	2+2	R	O-20
DAF36040	20	70	10	20	2+2	L	O-20
DAF36041	22	70	10	20	2+2	R	O-21
DAF36042	22	70	10	20	2+2	L	O-21
DAF36043	24	70	10	20	2+2	R	O-22
DAF36044	24	70	10	20	2+2	L	O-22
DAF36045	25	70	10	20	2+2	R	O-23
DAF36046	25	70	10	20	2+2	L	O-23
DAF36047	26	70	10	20	2+2	R	O-24
DAF36048	26	70	10	20	2+2	L	O-24
DAF36049	28	70	10	20	2+2	R	O-25
DAF36050	28	70	10	20	2+2	L	O-25
DAF36051	30	70	10	20	2+2	R	O-26
DAF36052	30	70	10	20	2+2	L	O-26
DAF36053	32	70	10	20	2+2	R	O-27
DAF36054	32	70	10	20	2+2	L	O-27
DAF36055	35	70	10	20	2+2	R	O-28
DAF36056	35	70	10	20	2+2	L	O-28
DAF36057	38	70	10	20	2+2	R	O-29
DAF36058	38	70	10	20	2+2	L	O-29
DAF36059	40	70	10	20	2+2	R	O-30
DAF36060	40	70	10	20	2+2	L	O-30

PUNTE PER FORATRICE - CERNIERA CON 4 RASANTI

Cylinder boring bit with 4 trimmers
Zylinderkopfbohrer mit 4 vorschneiden
Brocas bisagra con 4 precortadores



CODICE CODE	D mm	B mm	Lt mm	ATTACCO - SHANK		Z	R	ROTAZ. ROTAT.	COD. PREZZO CODE PRICE
				d mm	l mm				
DAF36101	35	10	57,5	10	27	2	2 + 2	R	A-49
DAF36102	35	10	57,5	10	27	2	2 + 2	L	A-50
DAF36103	38	10	57,5	10	27	2	2 + 2	R	A-51
DAF36104	38	10	57,5	10	27	2	2 + 2	L	A-52
DAF36105	40	10	57,5	10	27	2	2 + 2	R	A-53
DAF36106	40	10	57,5	10	27	2	2 + 2	L	A-54
DAF36107	35	10	70	10	27	2	2 + 2	R	A-55
DAF36108	35	10	70	10	27	2	2 + 2	L	A-56
DAF36109	38	10	70	10	27	2	2 + 2	R	A-57
DAF36110	38	10	70	10	27	2	2 + 2	L	A-58
DAF36111	40	10	70	10	27	2	2 + 2	R	A-59
DAF36112	40	10	70	10	27	2	2 + 2	L	A-60

VT038  M5 x 10 G-59	
VT039  M5 x 5 G-59	
CNTR01  Ø3 x 33,5 G-60	

